

Technical data sheet



Product features

Cooking range gas

Model	SAP Code	00013706
--------------	-----------------	----------



- Device type: Gas unit
- Power consumption of the zone 1 [kW]: 8
- Power consumption of the zone 2 [kW]: 8
- Power consumption of the zone 3 [kW]: 8
- Power consumption of the zone 4 [kW]: 8
- Power consumption of the zone 5 [kW]: 5
- Power consumption of the zone 6 [kW]: 3,5
- Material: AISI 304 top plate, AISI 430 cladding

SAP Code	00013706	Number of zones	6
Net Width [mm]	1200	Power consumption of the zone 1 [kW]	8
Net Depth [mm]	900	Power consumption of the zone 2 [kW]	8
Net Height [mm]	900	Power consumption of the zone 3 [kW]	8
Net Weight [kg]	103.00	Power consumption of the zone 4 [kW]	8
Power gas [kW]	40.500	Power consumption of the zone 5 [kW]	5
Type of gas	Natural gas, propane butane	Power consumption of the zone 6 [kW]	3,5

Technical data sheet



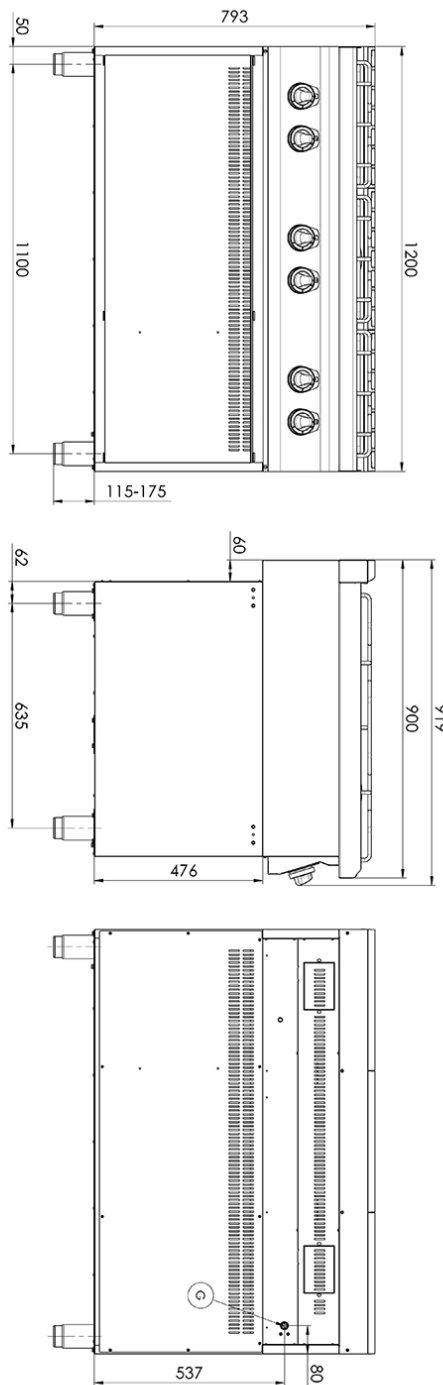
Technical drawing

Cooking range gas

Model

SAP Code

00013706



Technical data sheet



Technical parameters

Cooking range gas

Model

SAP Code

00013706

1. SAP Code:

00013706

2. Net Width [mm]:

1200

3. Net Depth [mm]:

900

4. Net Height [mm]:

900

5. Net Weight [kg]:

103.00

6. Gross Width [mm]:

1260

7. Gross depth [mm]:

990

8. Gross Height [mm]:

1180

9. Gross Weight [kg]:

119.00

10. Device type:

Gas unit

11. Construction type of device:

With substructure

12. Power gas [kW]:

40.500

13. Type of gas:

Natural gas, propane butane

14. Material:

AISI 304 top plate, AISI 430 cladding

15. Worktop type:

With removable containers - convenient maintenance, cleaning and service access

16. Worktop material:

AISI 304

17. Number of zones:

6

18. Power consumption of the zone 1 [kW]:

8

19. Power consumption of the zone 2 [kW]:

8

20. Power consumption of the zone 3 [kW]:

8

21. Power consumption of the zone 4 [kW]:

8

22. Power consumption of the zone 5 [kW]:

5

23. Power consumption of the zone 6 [kW]:

3,5

24. Grid material:

Stainless steel

25. Service accessibility:

Trough the frontal panel

26. Safety thermocouple:

Yes

27. Adjustable feet:

Yes

28. Number of burners/hot plates:

8

Technical data sheet



Technical parameters

Cooking range gas

Model

SAP Code

00013706

29. Type of gas cooking zones:

Classic

30. Burner type:

Brass, undetachable